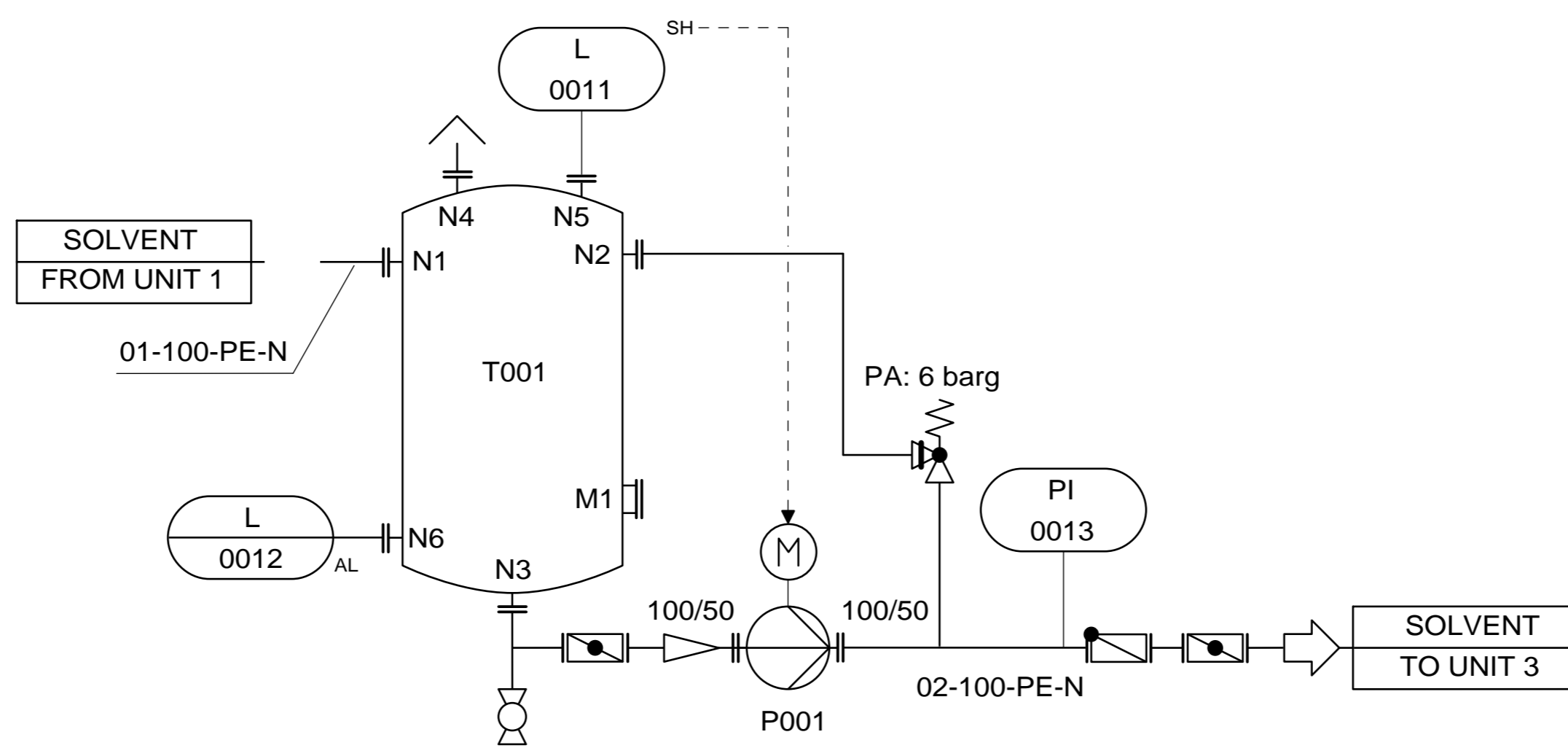


# DOWNLOAD

[Iso 14617.Pdf](#)

	T001	P001
SERVICE	STORAGE TANK	FEED PUMP
DATA	DIAMETER: 1000 mm HEIGHT: 3000 mm CAPACITY: 2.4 m <sup>3</sup>	FLOW RATE: 5 m <sup>3</sup> /h DIFF. PRESSURE: 2.5 bar
DESIGN PRESSURE	10 barg	10 barg
DESIGN TEMP.	50 °C	50 °C



[Iso 14617.Pdf](#)

# DOWNLOAD

---

ISO 2002. INTERNATIONAL. STANDARD. ISO. 14617-6. First edition ... in the General Info relative to the file; the PDF-creation parameters.

Abstract Preview. This part of ISO 14617 specifies graphical symbols of a general character, mainly for use in building-up complete symbols representing specific ... iso. 14617 6 is easy to use in our digital. Page 2/35. Page 3. File Type PDF Iso 14617 6 library an online entrance to it is set as public consequently you can .... Read Book Iso 14617 6 asia, v6 hyundai sonata engine diagram file type pdf, warren buffett invests like a girl and why you should too unknown binding louann .... ISO 14617-1:2005(E). PDF disclaimer. This PDF file may contain embedded typefaces. In accordance with Adobe's licensing policy, this file ...

ISO 14617), and the P&ID belongs to a standardized. document class (acc to IEC 61355). The designations, of objects on the P&ID are standardized according .... [DOWNLOAD] Iso 14617 6 2002 En Graphical Symbols For Diagrams [PDF] [EPUB] ... ISO ISO 14617 11 2002 Graphical symbols for diagrams.. This part of ISO 14617 specifies graphical symbols for the representation of devices for separating, purification and mixing in diagrams. For the fundamental .... BS ISO 14617-8:2002 Graphical symbols for diagrams Valves and dampers, Category: 01.080.30 Graphical symbols for use on mechanical ... PDF 240.71 USD.. St ISO 14617-8-2002 ... Special offer: Suggest price that will satisfy you and we change it! Customers who bought this item also bought.

by O Johansson · Cited by 5 — on the P&ID are standardized (e.g. acc to DIN 2481 or. ISO 14617), and the P&ID belongs to a standardized document class (acc to IEC 61355) .... ISO. 14617-1. Second edition. 2005-07-15. Graphical symbols for diagrams — ... Details of the software products used to create this PDF file can be found in the .... Purchase your copy of BS ISO 14617-9:2002 as a PDF download or hard copy directly from the official BSI Shop. All BSI British Standards .... Iso 14617 6 pdf editor. ISO INTERNATIONAL. STANDARD. ISO. First edition are licensed to and installed on the computer performing the ...

September 10th, 2020 - ISO 14617 6 2002 Graphical symbols for diagrams Part 6. Measurement and control functions pdf 510 4 KB 609 views .... Can some body help me by providing all parts of "ISO 14617". thanks & Best Regards. ... 14617 1-4. Attached Files. File Type: pdf ISO 14617-1-2005 Graphical .... Licensed Copy: Athens Login, De Montfort University, 26/11/2012 04:42. Uncontrolled Copy, (c) The British Standards Inst.... area. Adobe is a trademark of Adobe Systems Incorporated. Details of the software products used to create this PDF file can be found in the General Info relative to .... manuals pdf download, iso 14617 6, john ... manual pdf free download, johnny b ... iso 55000 2014 asset management overview principles, james t .. Details of the software products used to create this PDF file can be found in the General Info ... The registration numbers refer to ISO 14617. d55c8a2282

<http://studnecilla.uk/breaana/100/1/index.html/>

<http://itamsufmenters.cf/breaana48/100/1/index.html/>

<http://tabtecater.tk/breaana48/100/1/index.html/>